

Testosterone Nasal Gel Application Instructions

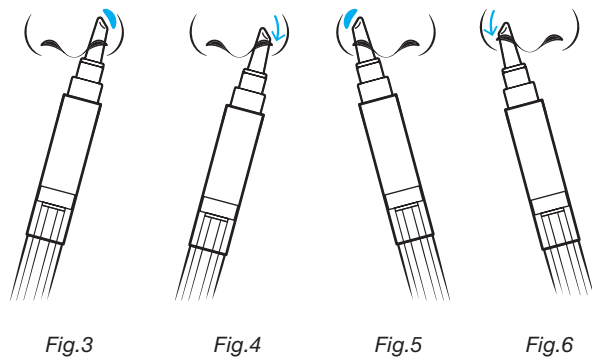
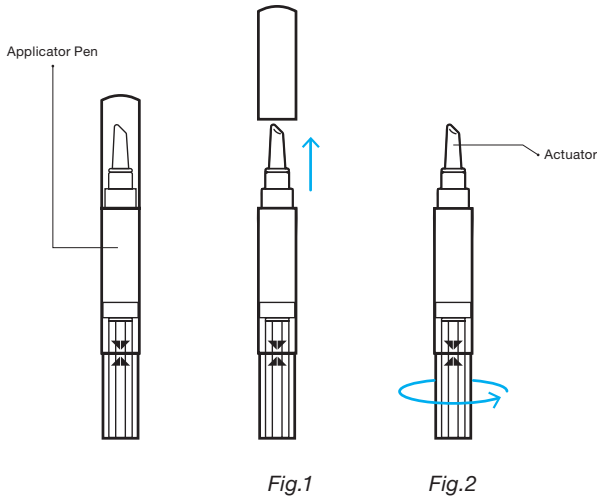


Fig.7

1. Gently blow the nose.
2. Remove the cap from the applicator pen. (Fig.1)
3. Turn the lower portion of the pen on full rotation (8 audible clicks) to realign the arrows. (Fig.2)
4. Allow 10–15 seconds for the gel to fully exude from the applicator tip.
5. Using a mirror, gently guide the pen tip into the nostril to make contact with the lateral wall of the nostril to ensure the gel is applied to the nasal wall. (Fig.3)
6. Remove the actuator from the nostril while wiping the tip along the inside of the lateral nostril wall to fully transfer the gel. (Fig.4)
7. Repeat the process on the other nostril as directed. (Fig.5,6)
8. Use a clean, dry tissue to wipe the tip of the applicator. You may clean the tip with soap and water or an alcohol swab.
9. Replace the cap on the applicator pen.
10. Press the nostrils at a point just below the bridge of the nose and gently massage. (Fig.7)
11. Refrain from blowing the nose or sniffing for 1 hour after administration.